

## 蝶形止回阀 Wafer Double Swing Check Valve

阀门名称 Valve Name	蝶形止回阀 Wafer Double Swing Check Valve
公称口径 Nominal Diameter	DN50 (2") ~ DN600(24")
公称压力 Nominal Pressure	PN 10 PN 16 125LB 150LB 300LB
适用介质 Suitable Mediums	水、蒸汽、油、硝酸等腐蚀性介质、强氧化性介质 醋酸、尿素等腐蚀性介质 Water/steam、Oil、Nitric acid medium、Oxygen medium、Acetic acid medium、Urea corrosive medium
适用温度 Working Temperature	0~120℃



### 主要零件材料 (Material of Main Parts):

名称 Name	材质 Material
阀体 Body	灰铸铁、碳钢、不锈钢 Cast Iron、Carbon Steel、Stainless Steel
阀轴 Stem	不锈钢 Stainless Steel
阀板 Disc	不锈钢、碳钢 Stainless Steel、Carbon Steel
密封面胶种 Sealing	丁腈、氯丁、乙丙 NBR、Neoprene、EPDM

### 产品标准 (Products Standards):

设计制造: Valve Design to	JB/T 8937-1999, API594
验收标准: Valve Test to	JB/T9092-99、GB/T13927-89、API598
结构长度: Face to face	GB/T12221-89、ISO5752-82
法兰标准: Flange drilled is according to	GB4216, GB9112~9114, ANSI B16.5, ANSI B16.1

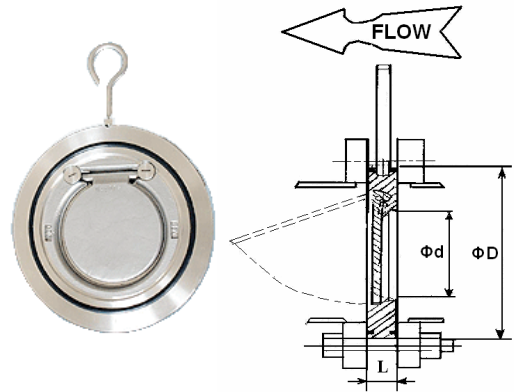
### 特点 (Features):

- 体积小、重量轻、结构紧凑、便于维修、刚性好。
  - 阀板采用对偶板上加两个扭力弹簧的设计，可使阀板自行速闭。
  - 因速闭作用，可有效的防止水锤。
  - 安装方便，可在水平、垂直两个方向的管路上安装。
  - 达到完全密封，水压试验泄露量为零。
- Small in size, light in weight, compact in structure, easy in maintenance, good rigidity.
  - Two torsion springs are used exerting on each of the pair valve palates, Which close the plates quickly and automatically.
  - The quick-close action prevents the medium from flowing back and eliminates water hammer effect.
  - Easy installation, it can be installed on horizontal and vertical both directions pipes.
  - This valve is tightly sealed, without leakage under the pressure water test.

## 悬吊式止回阀 Suspensory Check Valve

### 主要参数 Parameters(mm)

size	ΦD	L	Φd
2"	105	19	30
2-1/2"	124	19	42
3"	137	19	50
4"	175	19	72
5"	197	19	93
6"	222	24	113
8"	279	29	142
10"	340	29	190

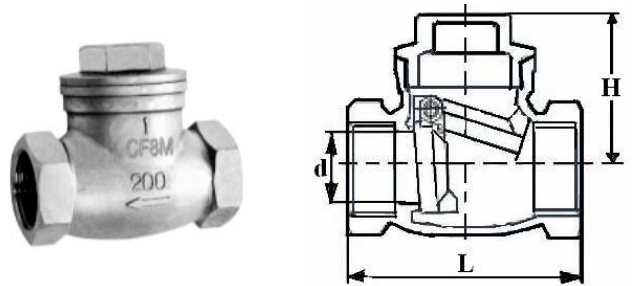


## 旋启式内螺纹止回阀 Threaded Swing Check Valve

◇ 材质 (Material): 304, 316

### 主要参数 Parameters(mm)

size	d	L	H
1/2"	15	65	48
3/4"	20	75	54
1"	25	90	59
1-1/4"	32	105	71
1-1/2"	40	120	76
2"	50	140	85

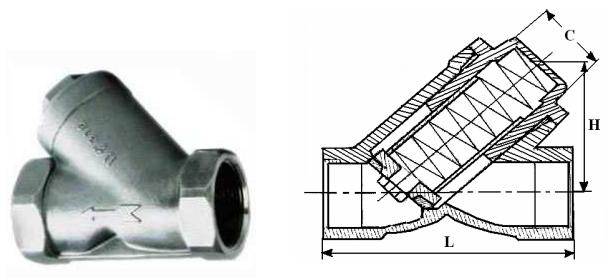


## Y型弹簧止回阀 Threaded Y-Spring Check Valve

◇ 材质 (Material): 304, 316

### 主要参数 Parameters(mm)

size	L	H	C
1/4"	65	35	19
3/8"	65	35	19
1/2"	65	35	19
3/4"	80	45	23
1"	90	57	27
1-1/4"	105	58	32
1-1/2"	120	66	41
2"	140	77	50



## 旋启式法兰止回阀 Full Port Flanged Swing Check Valve

- ◇ 使用压力 800PSI
- ◇ 材质 304,316
- ◇ 法兰连接标准 ANSI B16.5 PN2.0
- ◇ 结构长度标准 ANSI B16.10 PN2.0
- ◇ Working pressure 800PSI
- ◇ Material 304,316
- ◇ Flange size ANSI B16.5 PN2.0
- ◇ Face to face ANSI B16.10 PN2.0



### 主要参数 Parameters(mm)

size	d	L	D	C	g	t	df	N
1/2"	15	108	89	60.5	35	11.5	16	4
3/4"	20	117	98	70.0	43	12.7	16	4
1"	25	127	108	79.5	51	14.2	16	4
1-1/2"	40	165	127	98.5	73	14.3	16	4
2"	50	178	152	120.5	92	15.9	19	4
2-1/2"	65	190	178	139.5	105	17.5	19	4
3"	80	203	190	152.5	127	19.1	19	4
4"	100	229	229	190.5	157	23.9	19	8

